

Sepura ULTRA CSM/RSM

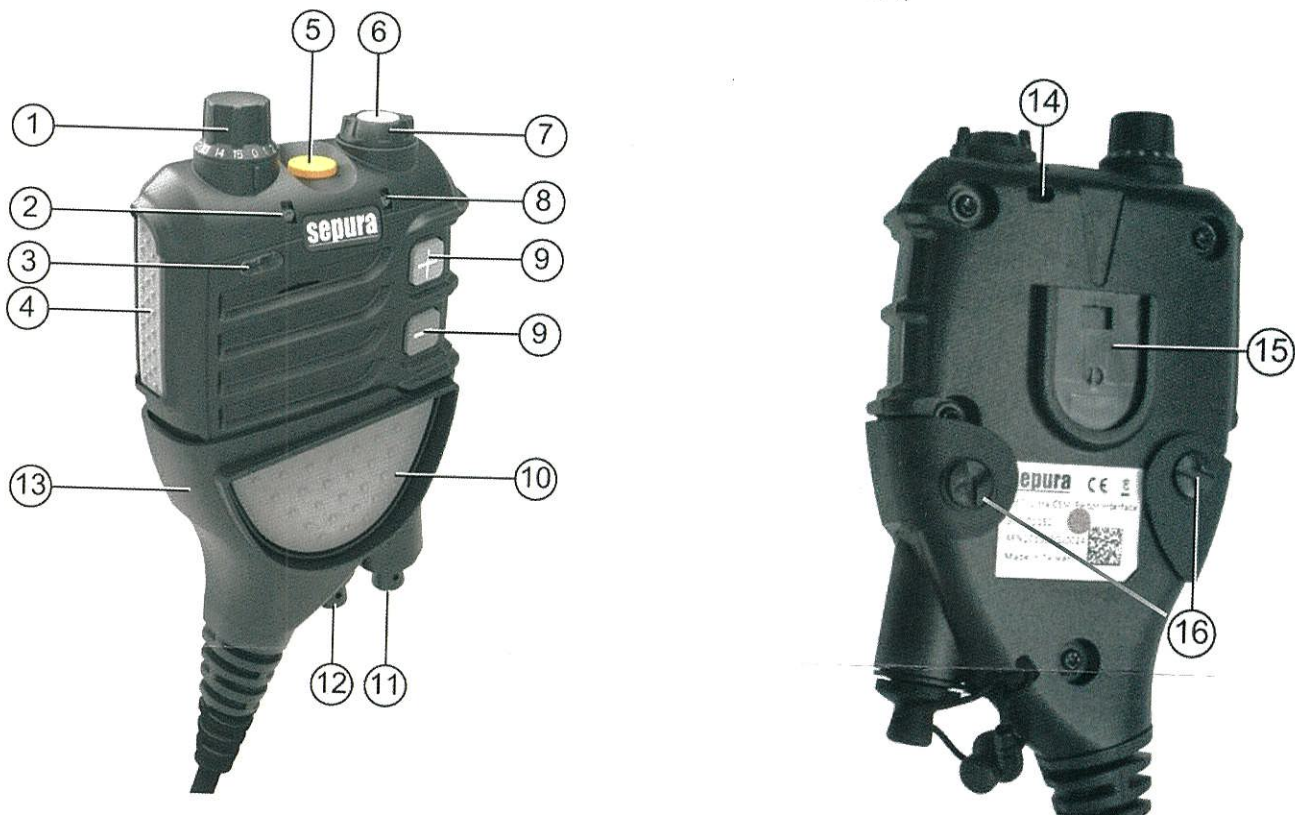
Introduction

This guide describes the all-weather Sepura ULTRA RSM (Sepura Part Number 300-01124 standard interface / 300-01153 – Peltor interface) and ULTRA CSM - Controller Speaker Microphone (Sepura Part Number 300-01123 standard interface / 300-01152 Peltor interface). These accessories are protected against harsh climatic conditions to IP67.

Note: The ULTRA CSM is compatible with Sepura STP8000 and STP9000 series radios using software version 10.14 and Radio Manager R2.8.39.1 or later.

Your accessory at a glance

Figure 1 - CSM front and rear view (with PTT protective bezel fitted)



Item	Description	Item	Description
1	Rotary Control (CSM only)	9	Front Soft Keys
2	Status LED	10	Front PTT
3	Emergency LED	11	Nexus TP-120 socket
4	Side PTT	12	3.5mm earpiece socket
5	Emergency Button	13	PTT protective bezel (optional)
6	ALT Key	14	Lanyard attachment point
7	Speaker Control	15	Horseshoe mount socket
8	ALT LED	16	Bezel screws

Belt clip

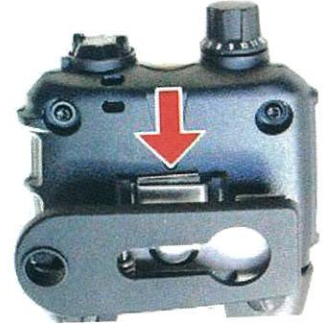
With a belt clip fitted you can attach the ULTRA CSM/RSM to your clothing in any orientation. Heavy duty (300-01151) and light weight clips (300-01363) are available.

Attach belt clip

Slide the belt clip into the horseshoe mount socket on the back of the CSM. Ensure that the locking tab fully engages into the recess in the rear of the socket.

Detach the belt clip

1. Rotate the belt clip through 90 degrees.
2. Insert a suitable tool (such as a flat-bladed screwdriver) under the locking tab and gently disengage it from the ULTRA CSM/RSM.
3. Slide the belt clip out of the horseshoe mount.



Radio Connection

Connect the ULTRA CSM/RSM to a Sepura STP8000 or STP9000 series radio using the Rugged Accessory Connector. You can do this with the radio turned on or off. Ensure that the connector to the radio is dry and free from dirt before attaching.



Rotary Control

Select a talkgroup in the current folder: rotate the Rotary Control to desired talkgroup number.

Note: Position '0' (zero) can be customised to return talkgroup and folder selection to the usual radio controls, or to turn the radio off. This is done in Radio Manager when the radios are configured.

Speaker Control

Rotate the speaker control to switch between two options:

	<ul style="list-style-type: none">• Full volume speaker (default)• Speaker muted with accessory connected
	<ul style="list-style-type: none">• Reduced volume speaker (customisable)• Unmute speaker (with Nexus accessory connected)

Accessories

Note: Use of unapproved Nexus or 3.5mm accessories may cause injury and/or hearing loss. A list of approved accessories is held in the Sepura Information Centre. If you do not have access to the Information Centre, please contact the Sepura Customer Support Desk. +44 (0) 1223 877247.

10/2015